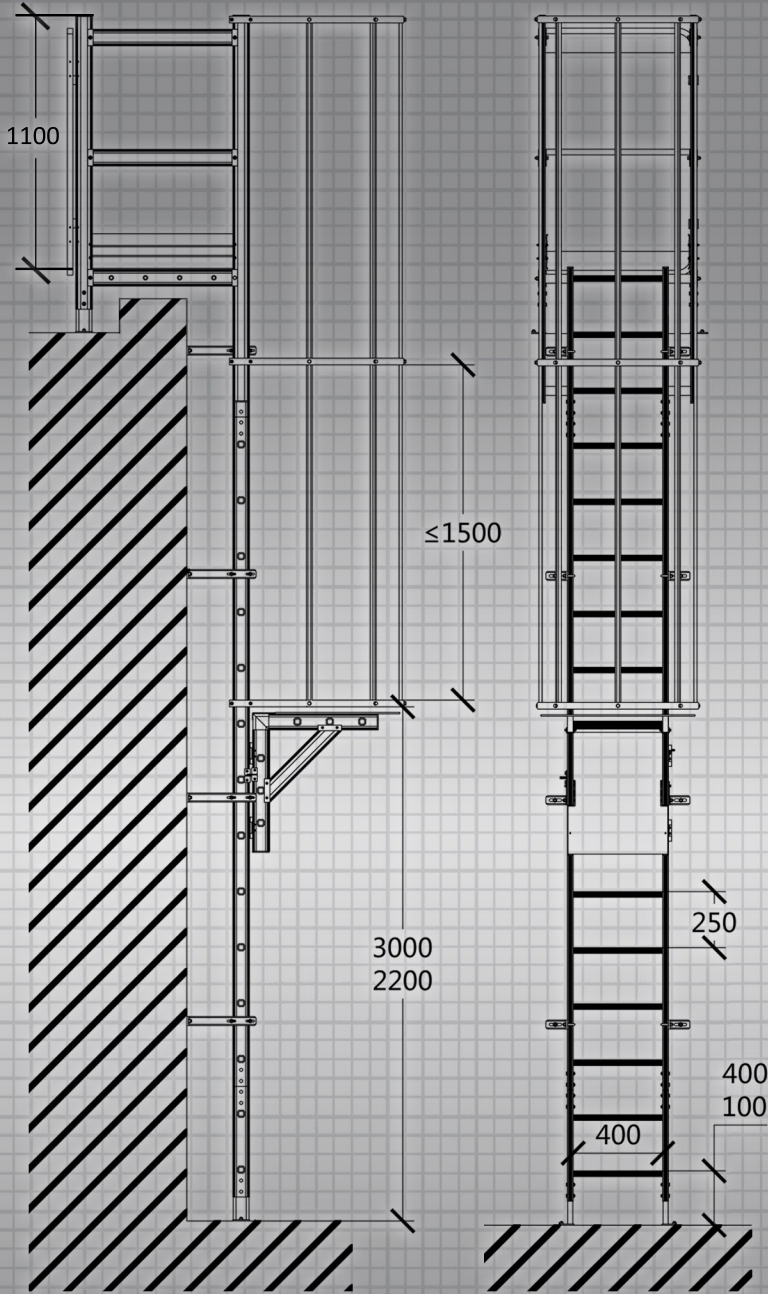


Caged

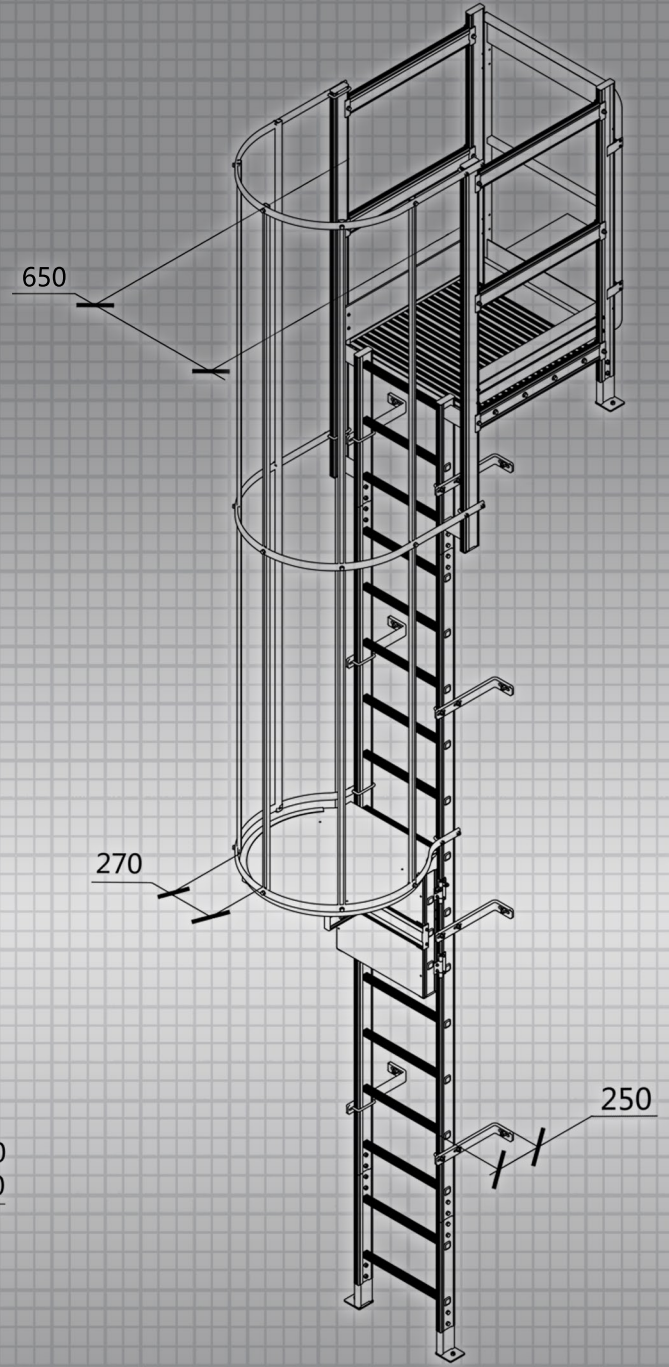
FIXED LADDER



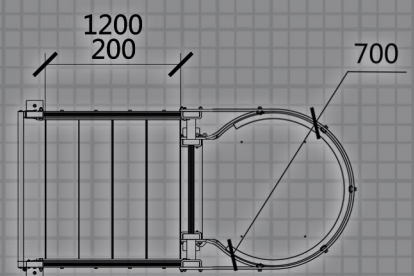


SIDE VIEW

FRONT VIEW



ISOMETRIC VIEW

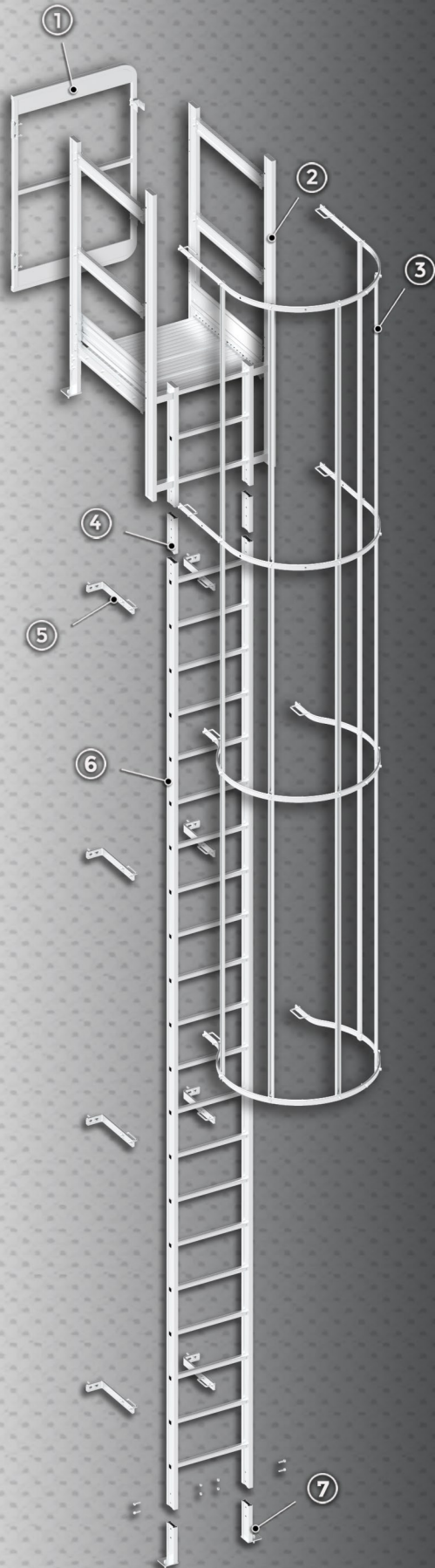


PLAN VIEW

LONGDYES
CAGE LADDER

EN ISO 14122-4 : 2016

This fixed ladder contains cage-shaped protective device, permanently fixed to the ladder, to minimize the risk of persons falling from ladder.



① **Self-closing door**
One way direction

② **Landing platform**
Width 650mm

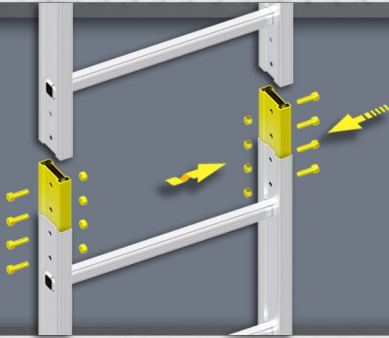
③ **Standard cage**
Typical carbis ladder cage

④ **Rail junction**
Connect rails with screws

⑤ **Wall bracket**
Support the ladder modular

⑥ **Ladder modular**
Non-corrosive design with antislip rung

⑦ **Floor bracket**
Mount stringer to the floor

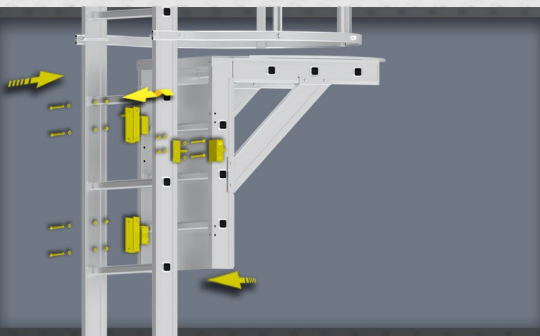


Rail junction enhances the strength and provides non-welding onsite installation

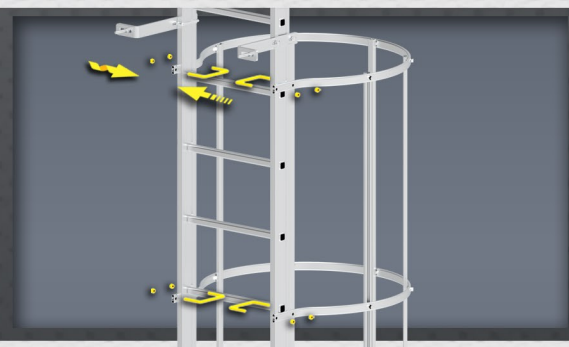
Connect the ladder modular and wall bracket with U-bolt



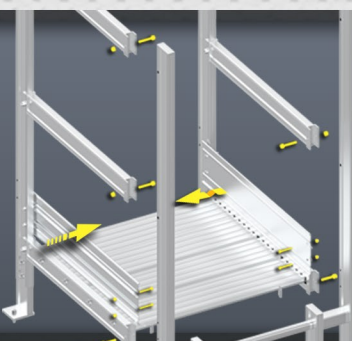
Connect access gate and ladder through vertical hinge and screw



The cage is mounted to stringers by U-bolts



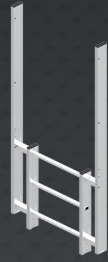
Fix the ladder platform and exit by tighten screw



COMPONENTS



Landing Platform
LP-EPO60



Landing Exit
LP-STL-EXT

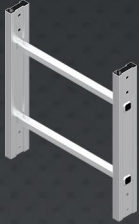


Self Closing Door
LP-STL-GA



Rest Platform
LP-SE100

Ladder Kit
LP-STLXX



Wall Bracket
LP-STL-WF



Ladder Junction
LP-STJ01



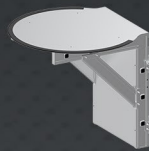
Floor Fixing
LP-STL-FF



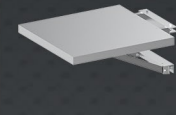
Ladder Security Door
LP-STL-AD



Foldable Rest Landing
LP-STL-RR



Ladder Access Gate
LP-STL-CL



Multi Section Landing
LP-STL-RE

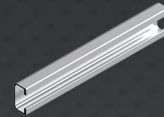
Single Hoop
LP-HO-ST



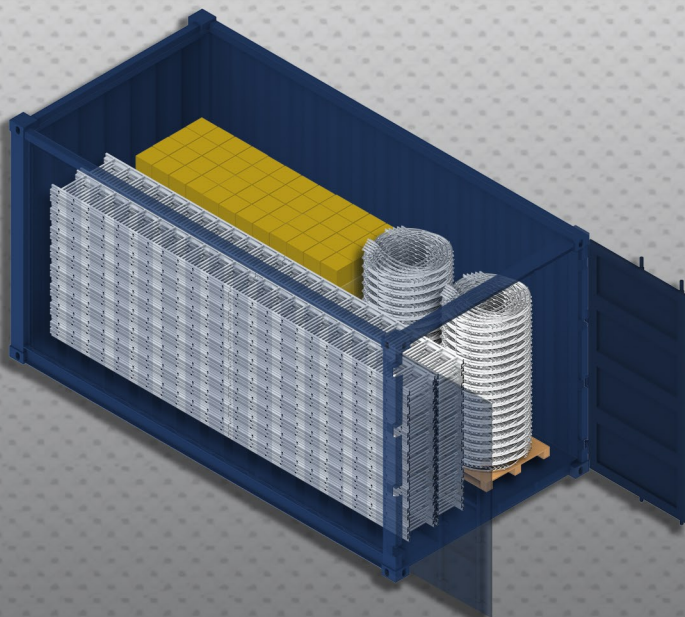
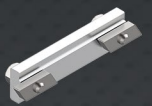
Multi Section Hoop
LP-HO-DB



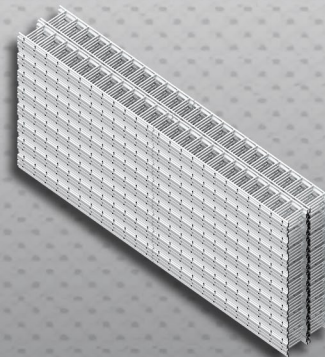
Cage Bar
LP-HP050



Cage Bar Junction
LP-HPJ01



Hardware carton
Valrety of hardwares included



Ladder modular kit
Length 3000 mm, width 400 mm with square anti-slip rungs, vertical tread spacing 250mm



Cage hoop pallet
φ700 mm aluminum cage hoop, wrapped by stretch film

A 20' GP container

Capable of loading approx. 800 meters of cage ladder.

PACKING

STYLES



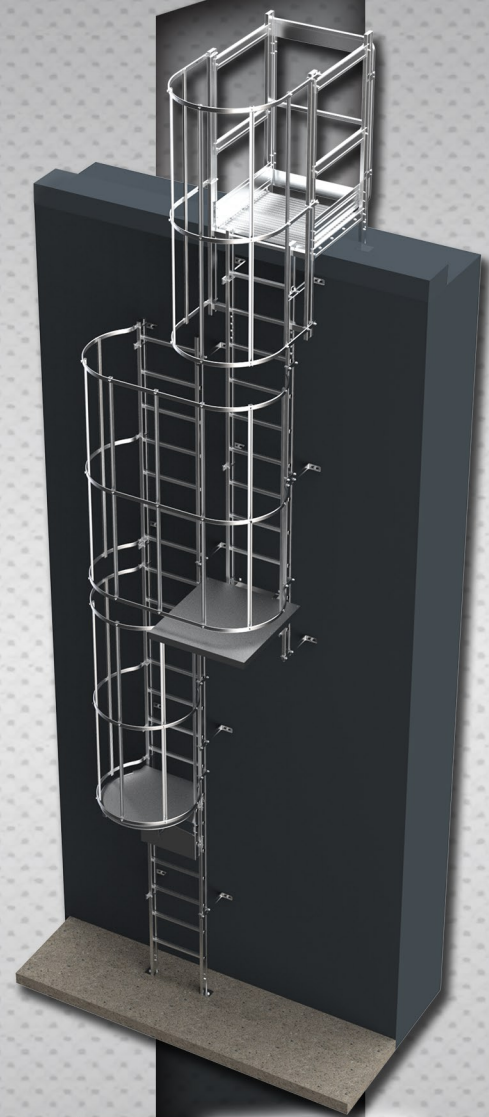
BASIC LADDER

Fixed ladder systems are subject to a separate set of standards. Because they are permanently installed on buildings.



CAGE LADDER

When a fixed ladder extends more than 20 feet, you are required to have a cage to meet safety requirements. It works perfectly with personal fall arrest system.



MULTI SECTION LADDER

Multi-section ladders with a climb of 24 feet or more require rest points. These are meant to protect climbers as they ascend. Previously, a fixed ladder with a cage required a landing platform at a maximum interval of 30 feet.



WWW.LONGDYES.COM



WORKSITE SECURITY ARTISAN

OFFICE

ROOM 3006, TOWER3, EXCELLENCE CENTURY CENTER,
NO.31 LONGCHENG ROAD, QINGDAO, CHINA

PHONE: +86 532 83932416
MAIL: INFO@LONGDYES.COM

FACTORY

NO.8 BAOLULAI ROAD,
QINGDAO, CHINA